

Montana State Hospital

300 Garnet Way
Warm Springs MT 59756



Hospital Mission: to provide quality psychiatric evaluation, treatment, and rehabilitation services for adults with severe mental illness.

Hospital Vision: to be the leader in providing innovative mental health services which enhance the quality of life for Montanans. In doing so, we will maximize individual ability, potential, and satisfaction.

MONTANA STATE HOSPITAL provides inpatient psychiatric treatment for adults with serious mental illness. Services provided include evaluation and assessment; medication management; individual and group therapy; psycho-educational programs; rehabilitation and vocational services; chemical dependency treatment; and peer support. Montana State Hospital is the only public psychiatric hospital in the state. The facility includes 174 licensed hospital beds; 15 adult group home beds; and a 20 bed residential care unit.

exacqVision video management software (VMS) was installed to help Montana State Hospital's staff monitor patient behavior and to provide a safe environment for patients, staff and visitors. exacqVision was installed on three industry standard server that manage a total of 135 IP cameras located throughout the Main hospital facility and the Sprat building to provide an orderly environment in which all patients have an opportunity to realize their potential. The exacqVision client software is installed on a PC in the Administration building and on six (6) nurse stations located through each wing of the hospital. When an incident is reported the staff will search for the video recorded on the server to investigate and support their findings. Video can be easily exported to a DVD or USB flash.



Exacq Technologies partner, Studio AV, Inc., provided complete design and installation services of the exacqVision VMS software, IP cameras, switches and servers for the Montana State Hospital.

Software Configuration:

- exacqVision client & server software
- Microsoft XP Pro

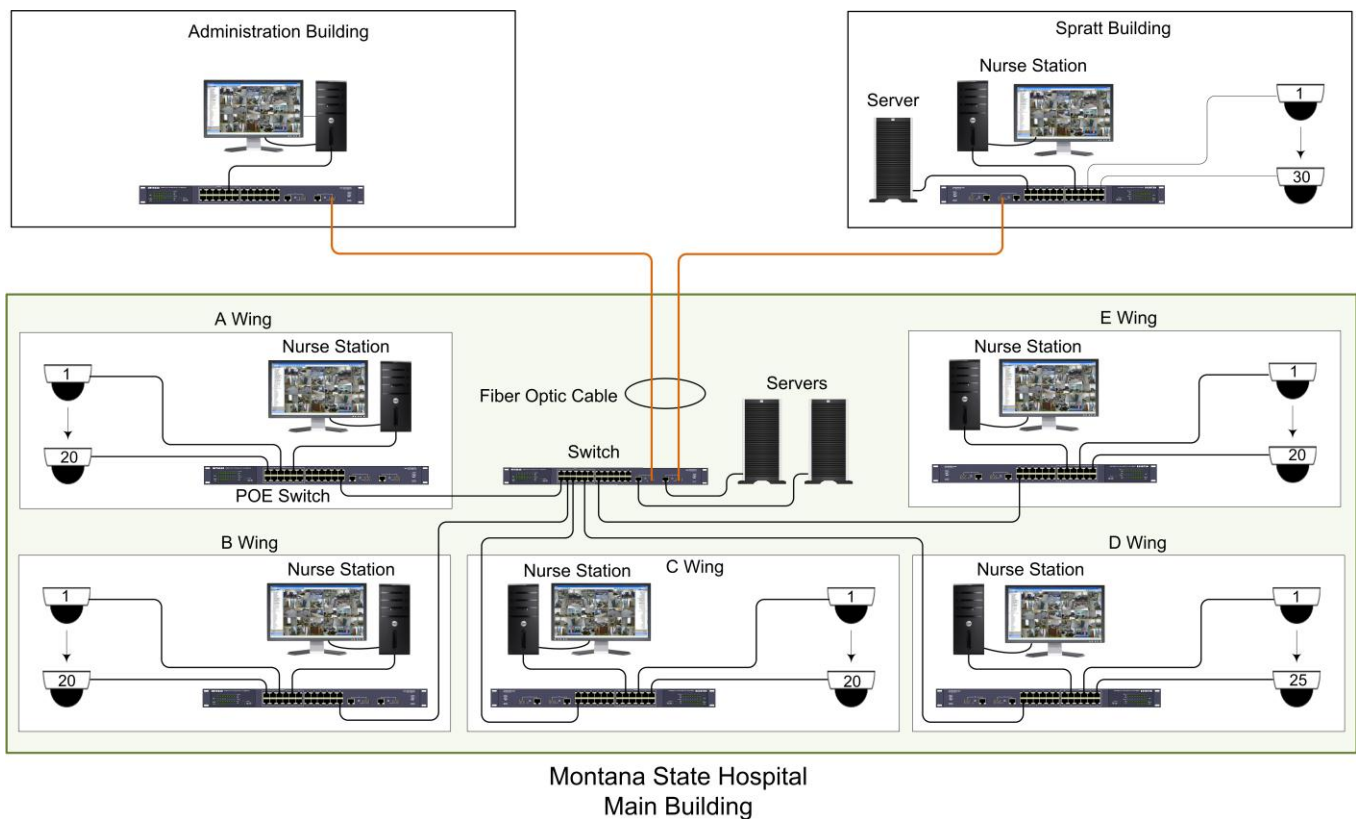
Hardware Configuration:

- 3 Commercial Servers
- 137 IP Cameras (13 ACTi ACM7411 outdoor, 26 ACTi ACM741 indoor and 96 Vivotek MD7560)
- Hospital buildings are connected with fiber optic cable and PoE switches
- Client PC's

Purpose/Benefits of the system:

- Keep patient, staff & visitors safe
- Identify behavior or cause of incident
- Ensure public trust through personal and professional integrity
- Treat people with respect, trust, and dignity

Montana State Hospital



"The Montana State Hospital staff is ecstatic about the new security monitoring system," said Steve Angell, Director of Security for Studio AV. "It has made patient care much more efficient and brings peace of mind to the administrators of the facility."

Steve Angell, Director of Security
Studio AV

exacqVision Client Nurse Station



Montana State Hospital
300 Garnet Way
Warm Springs MT 59756